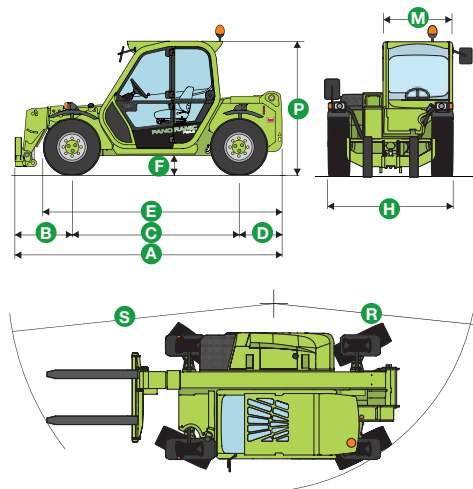




PANORAMIC 25.6 L

PANORAMIC P 25.6 L



| DIMENSIONS | P 25.6 L |
|------------|----------|
| A (mm) | 3900 |
| B (mm) | 835 |
| C (mm) | 2450 |
| D (mm) | 615 |
| E (mm) | 3480 |
| F (mm) | 270 |
| H (mm) | 1800 |
| M (mm) | 995 |
| P (mm) | 1770 |
| R (mm) | 3370 |
| S (mm) | 4200 |

The mighty compact with lowered cab

Read the following P 25.6 L advantages and benefits

Merlo P 25.6 L is a compact telehandler designed for any farm needs as well as nursery garden, orchards and poultry activities.

It benefits from a large implements range purposely designed by Merlo Group to maximize and boost productivity.

Telehandlers are usually employed more than 1,000 hrs in comparison with tractors equipped with front loaders.

Telehandlers are more versatile and handy.

As far as P 25.6 L is concerned it can move 2,500 kg up to 6 m height.

Your investment will be paid back in half time compared to a tractor and your farm will increase in efficiency and productivity.

TEN GOOD REASONS FOR BUYING A MERLO PANORAMIC P 25.6 L:

- ✓ Low Profile : 1.77 m cab for increased versatility.
- ✓ Compactness: width 1.8 m and length 3.9 m. For better versatility and handiness.
- ✓ Implements: designed by Merlo Group to maximize productivity.
- ✓ Driver area: one-meter-wide cab for better comfort.
- ✓ Wide doors: for easy access to driver area for better comfort.
- ✓ Six-meter boom: higher height can be reached vs front loaders.
- ✓ Electronically managed hydrostatic transmission: user friendly, ideal for any driver.
- ✓ Inching system: for better performance, productivity and less stress.
- ✓ Speed and attachments: 36 kph max sped, integral braking system, trailer brakes for better performance and safety.
- ✓ Annual usage: over 1,000 hrs for shorter R.O.I. and more farm productivity.

| Characteristics and performance | P 25.6 L |
|---|----------|
| Total weight unladen, with forks (kg) | 4750 |
| Maximum load capacity (kg) | 2500 |
| Maximum lift height (m) | 5.9 |
| Maximum forward reach (m) | 3.3 |
| Lift height at maximum load capacity (m) | 4.7 |
| Forward reach at maximum load capacity (m) | 1.4 |
| Load capacity at maximum height (kg) | 1750 |
| Load capacity at maximum forward reach (kg) | 1000 |
| Kubota Tier 3 engine power (kW/HP) | 55/75 |
| Fuel capacity (l) | 70 |
| Maximum speed (kph) | 36 |
| Hydraulic system - Gear pump (bar-l/min) | 210/80 |
| Hydraulic oil capacity (l) | 70 |
| Cab compliant with ROPS/FOPS standards | ● |
| Proportional mechanical joystick controls | ● |
| Tac-Lock attachment coupling | ● |
| Auxiliary boom hydraulic service | ● |
| Hydrostatic transmission | ● |
| Finger-Touch direction control | ● |
| Inching Control pedal for minute-distance control | ● |
| Permanent four-wheel drive | ● |
| Four wheel steering | ● |
| Service disk brakes on all wheels | ● |
| Automatically locking parking brake | ● |

