

S3215E/S3219E

ELECTRIC SLAB SCISSOR LIFTS



- Self-propelled electric scissor lifts
- Compact & nimble
- Drives through a standard doorway
- Suitable for indoor and outdoor use
- Easy to use & maintain

 **snorkel**

ELECTRIC SLAB SCISSOR LIFTS S3215E/S3219E

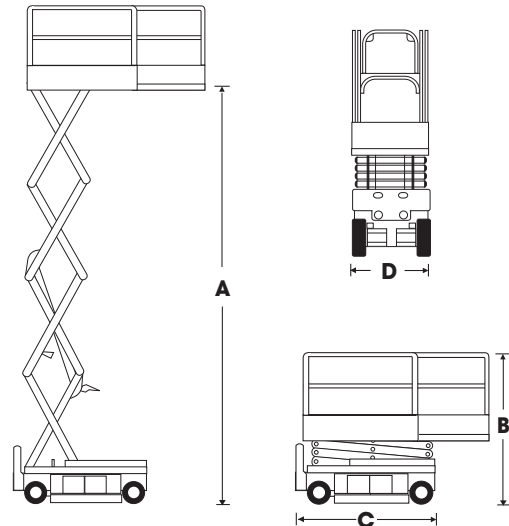
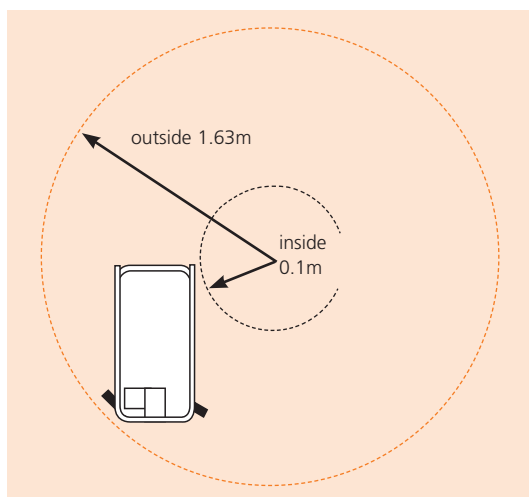
| DIMENSIONS | S3215E | S3219E |
|---------------------------------|---------------|---------------|
| Max. working height | 6.6m | 7.79m |
| Max. platform height (A) | 4.6m | 5.79m |
| Platform size (stowed) | 0.68m x 1.64m | 0.68m x 1.64m |
| Platform size (extended) | 0.68m x 2.53m | 0.68m x 2.53m |
| Extension deck length | 0.89m | 0.89m |
| Overall length (with step) (C) | 1.78m | 1.78m |
| Overall length (without step) | 1.74m | 1.74m |
| Overall width (D) | 0.81m | 0.81m |
| Stowed height (B) | 1.91m | 2.0m |
| Min. height (guardrails folded) | 1.59m | 1.65m |
| Ground clearance (stowed) | 64mm | 64mm |
| Ground clearance (elevated) | 19mm | 19mm |

| PERFORMANCE | S3215E | S3219E |
|-----------------------------|---------------------------|---------------|
| Platform capacity (SWL) | 272kg | 250kg |
| Max. drive height | 4.6m | 5.79m |
| Max. wind speed | 12.5m/s | 12.5m/s |
| Max. drive speed (stowed) | 3.2km/h | 3.2km/h |
| Max. drive speed (elevated) | 0.6km/h | 0.6km/h |
| Raise/lower time | 20/38 sec | 20/38 sec |
| Gradeability | 25% | 25% |
| Inside turning radius | 0.1m | 0.1m |
| Outside turning radius | 1.63m | 1.63m |
| Tires | 12 x 4 non-marking rubber | |
| Controls | proportional | proportional |
| Drive system | 2 wheel drive | 2 wheel drive |

| POWER | S3215E | S3219E |
|--------------|-------------------------|--------|
| Power source | 24V DC battery electric | |
| Charger | 90 - 240V, 25amp | |

| WEIGHT | S3215E | S3219E |
|--------|---------|---------|
| Weight | 1,238kg | 1,611kg |

TURNING RADIUS



STANDARD FEATURES

- Roll-out deck extension with dual locks
- Non-marking tyres
- Loading control pendant
- Swing-out service trays
- Saloon-door style entry gates
- Descent alarm
- All motion alarm
- Key switch
- 2 persons + equipment capacity indoor
- 1 person + equipment capacity outdoor
- Proportional controls, including descent
- Power line to platform
- Hour meter & onboard diagnostics display
- Integrated battery charger
- Battery condition indicator
- Crane & forklift points
- Dual lanyard attachments points
- Flashing amber light
- Scissor stack roller slide plates (set of 2)
- 2 year parts & labour, 5 year structural warranty
- CE approved

OPTIONS

- Special paint colours
- Environmental hydraulic oil
- Airline to platform
- Aircraft bumpguard package



Bleivassvegen 34
5347 Kystbasen
Norway

t: +47 55 31 55 31

e: post@gantic.no