

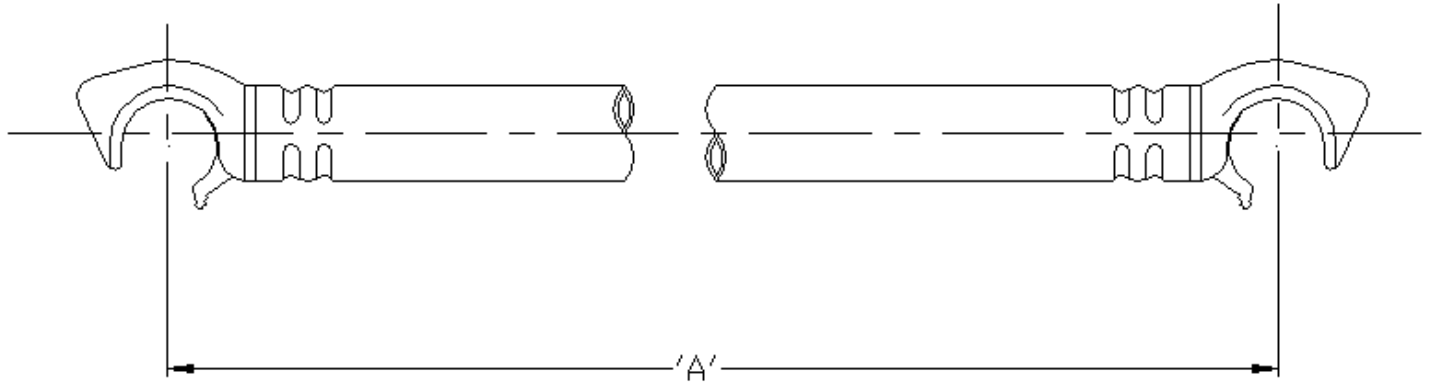
**SPAN 300**  
*Data Sheet*



**INSTANT**

QUALITY & STRENGTH YOU CAN TRUST

**HORIZONTAL BRACE**

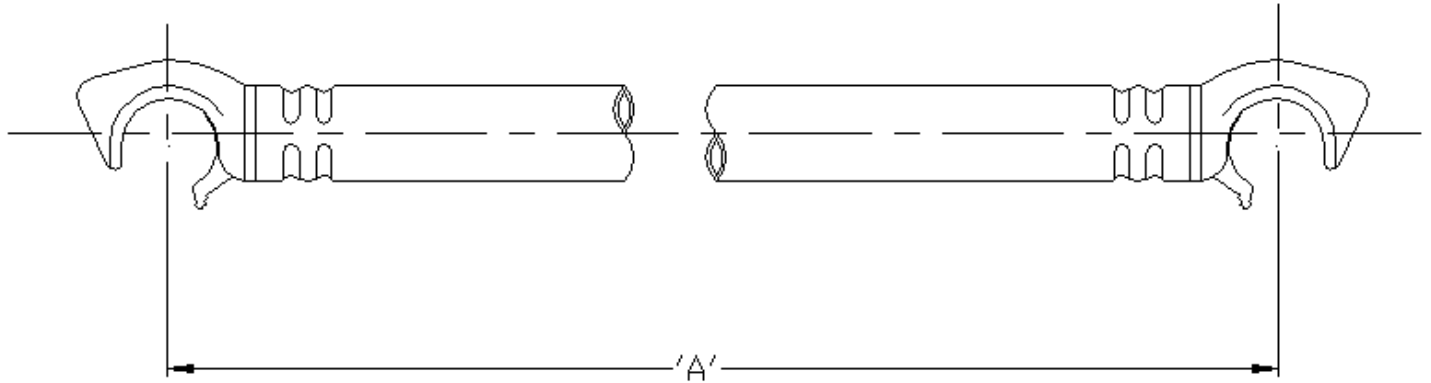


Part N°	Description	'A' (mm)	Weight (Kg)
223	2.0 m Horizontal Brace	1912	1.7
105	2.5 m Horizontal Brace	2496	2.0
221	3.0 m Horizontal Brace	3048	2.4

Notes

- Tube
  - Material : 6082
  - Weight : 0.614 kg/m (section)
- Latch Hook
  - Material: LM6M
  - Weight: 0.275 kg

**DIAGONAL BRACE**



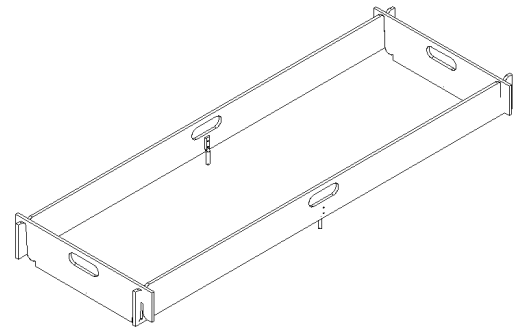
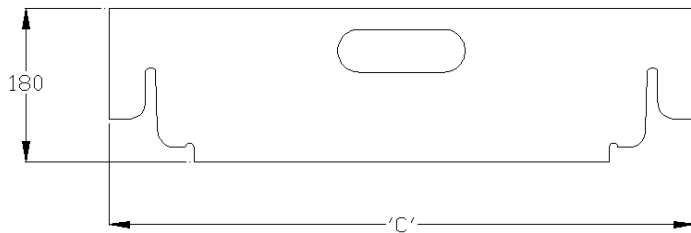
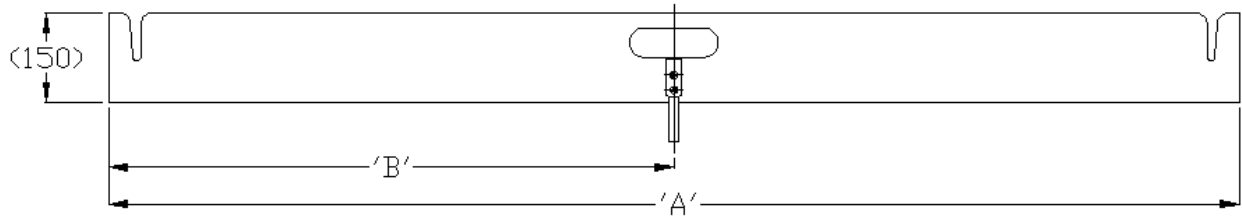
Part N°	Description	'A' (mm)	Weight (Kg)
364	2.0 m Diagonal Brace	2084	1.8
365	2.5 m Diagonal Brace	2630	2.2
210	3.0 m Diagonal Brace	3158	2.5

Notes

- Tube
  - Material : 6082
  - Weight : 0.614 kg/m (section)
- Latch Hook
  - Material: LM6M
  - Weight: 0.275 kg

**TOEBOARD SET**

▪ **4 Piece Wooden Toeboard**



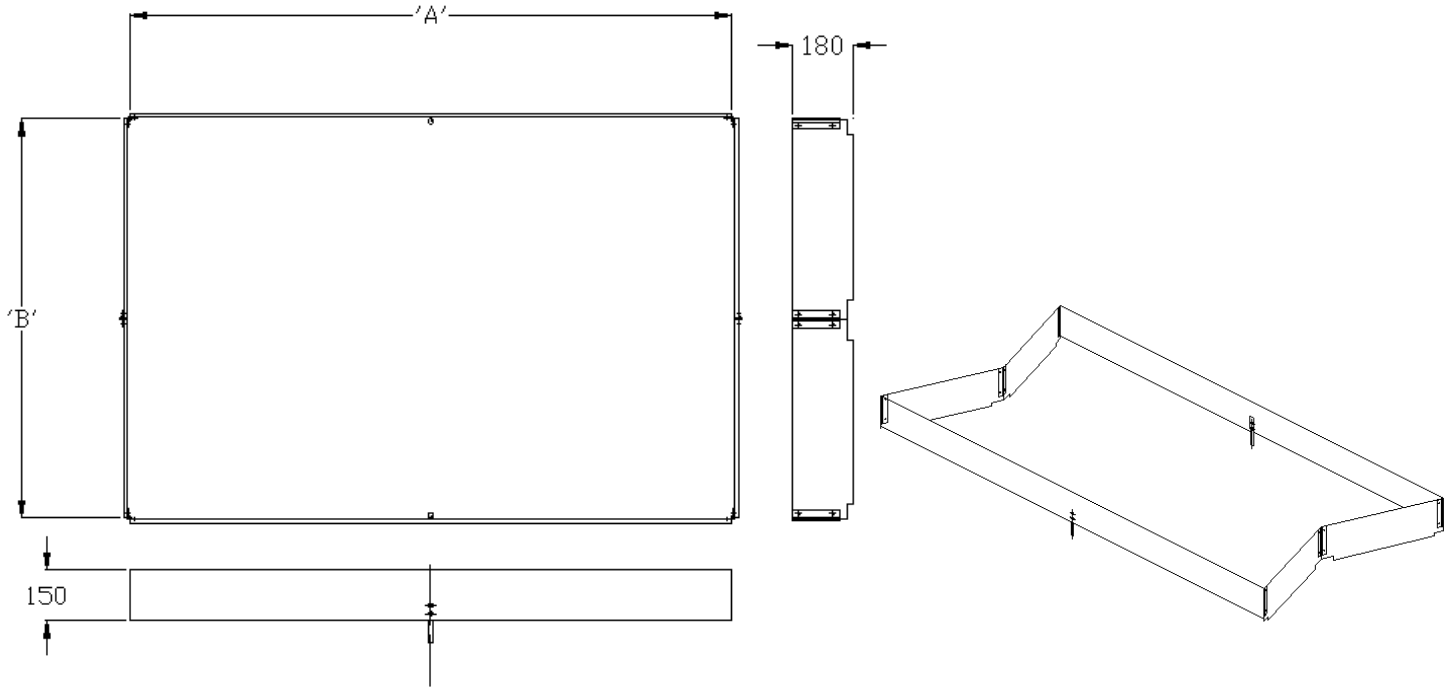
Part N°	Description	'A' (mm)	'B' (mm)	'C' (mm)	Weight (Kg)
<b>NARROW</b>					
9606	2.0 m Toeboard Set	1912	956	689	6.8
9608	2.5 m Toeboard Set	2496	1248	689	8.4
9610	3.0 m Toeboard Set	3048	1524	689	9.8
<b>WIDE</b>					
9616	2.0 m Toeboard Set	1912	956	1298	8.7
9618	2.5 m Toeboard Set	2496	1248	1298	11.5
9620	3.0 m Toeboard Set	3048	1524	1298	14.4

Notes

- Material: 12 mm Phenolic Coated Plywood

**TOEBOARD SET**

- **1 Piece Wooden Toeboard (folding)**



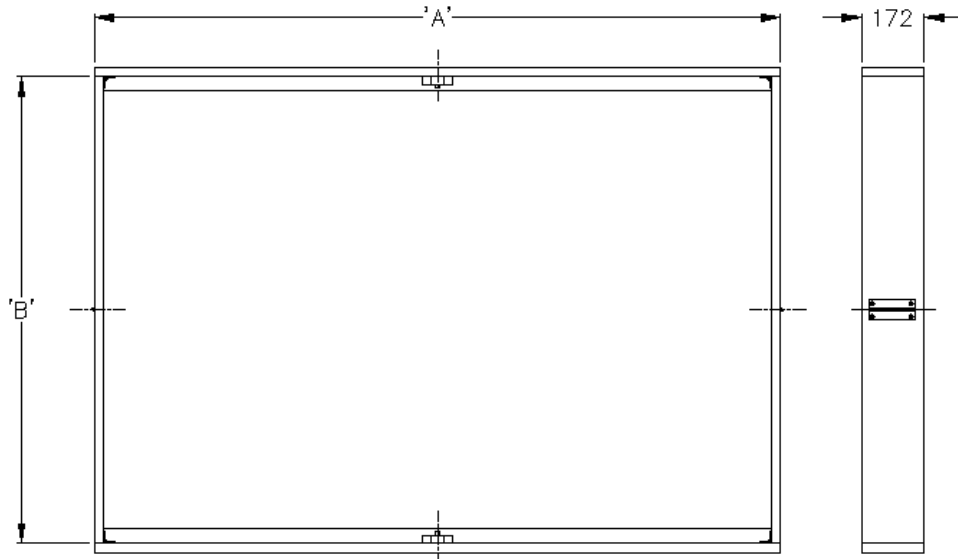
Part N°	Description	'A' (mm)	'B' (mm)	Weight (Kg)
<b>NARROW</b>				
E2480-36	2.0 m Toeboard Set	1798	574	8.5
E2480-38	2.5 m Toeboard Set	2382	574	10.0
E2480-40	3.0 m Toeboard Set	2934	574	11.5
<b>WIDE</b>				
E2480-46	2.0 m Toeboard Set	1798	1184	10.0
E2480-48	2.5 m Toeboard Set	2382	1184	11.5
E2480-50	3.0 m Toeboard Set	2934	1184	13.0

Notes

- Material: 12 mm Phenolic Coated Plywood

**TOEBOARD SET**

- **1 Piece Aluminium Toeboard (folding)**

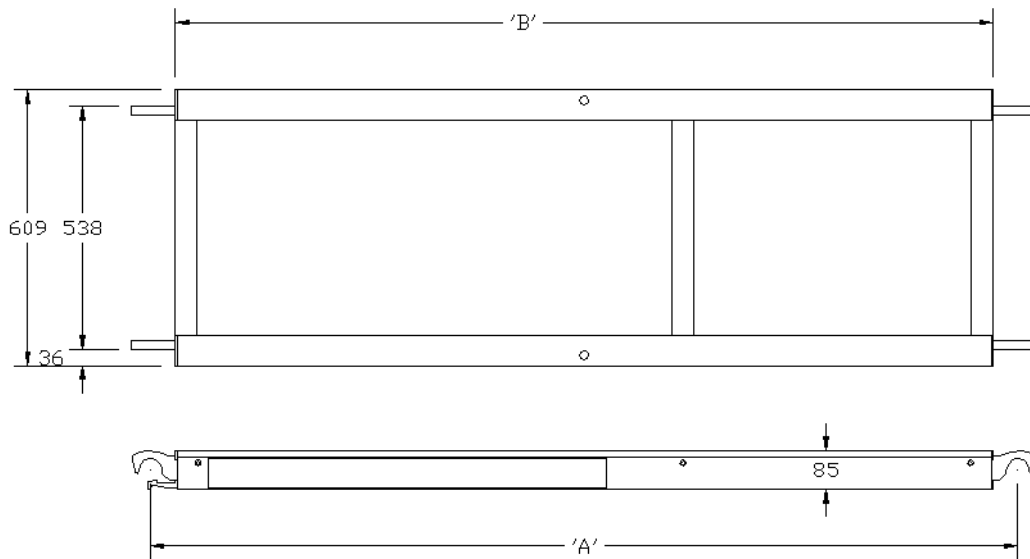


Part N°	Description	'A' (mm)	'B' (mm)	Weight (Kg)
<b>NARROW</b>				
51306	2.0 m Toeboard Set	1800	610	8.7
51308	2.5 m Toeboard Set	2384	610	9.5
51310	3.0 m Toeboard Set	2937	610	11.0
<b>WIDE</b>				
51316	2.0 m Toeboard Set	1800	1220	10.4
51318	2.5 m Toeboard Set	2384	1220	12.0
51320	3.0 m Toeboard Set	2937	1220	13.5

Notes

- Material: Alloy 6063

**STANDARD PLATFORM**

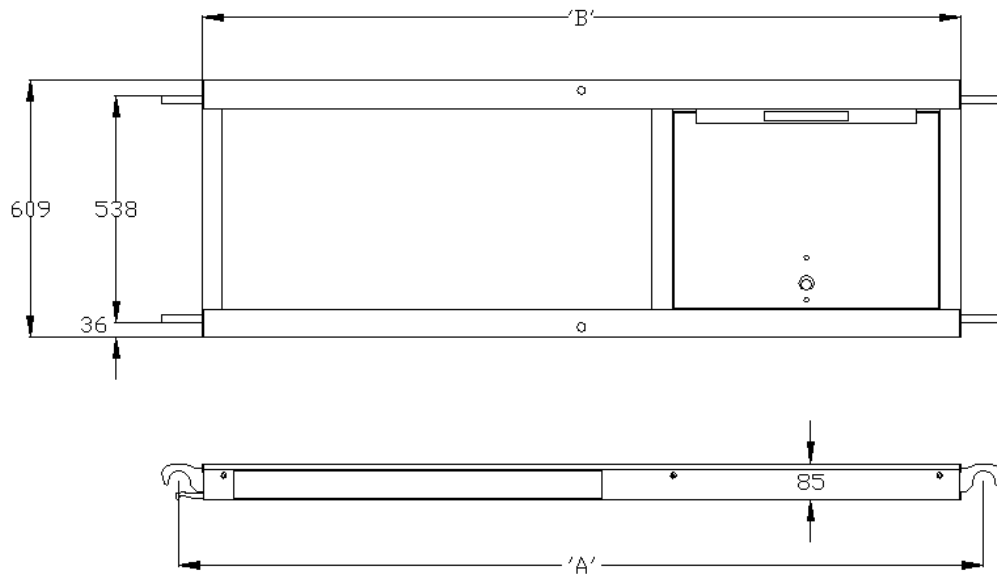


Part N°	Description	'A' (mm)	'B' (mm)	Weight (Kg)
46362	2.0 m Standard Platform	1912	1804	13.8
46361	2.5 m Standard Platform	2496	2388	17.2
46208	3.0 m Standard Platform	3048	2940	19.7

Notes

- Board Material: 9 mm Wisadeck Plywood
- Extrusion Material: Alloy 6063 or 6082
- Allowable Load on the platform: 360Kg (Max)

**TRAPDOOR PLATFORM**



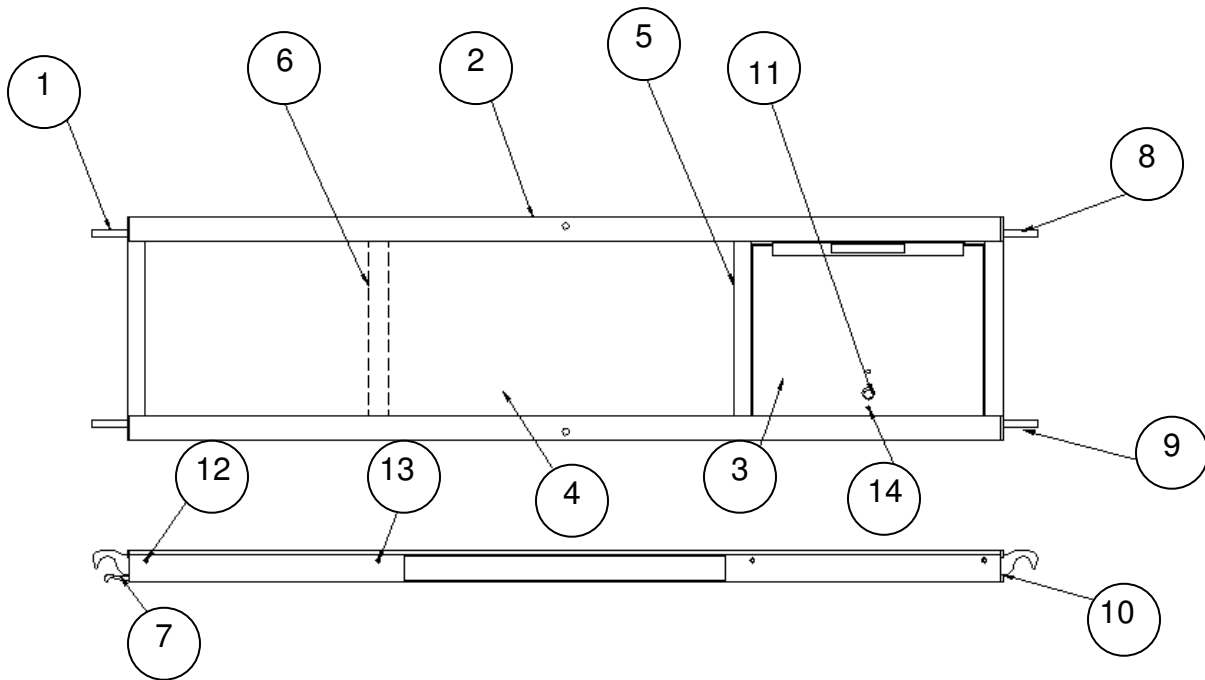
Part N°	Description	'A' (mm)	'B' (mm)	Weight (Kg)
46093	2.0 m Trapdoor Platform	1912	1804	14.1
46094	2.5 m Trapdoor Platform	2496	2388	17.50
46095	3.0 m Trapdoor Platform	3048	2940	20

Notes

- Board Material: 9 mm Wisadeck Plywood
- Extrusion Material: Alloy 6063 or 6082
- Allowable Load on the platform: 360Kg (Max)



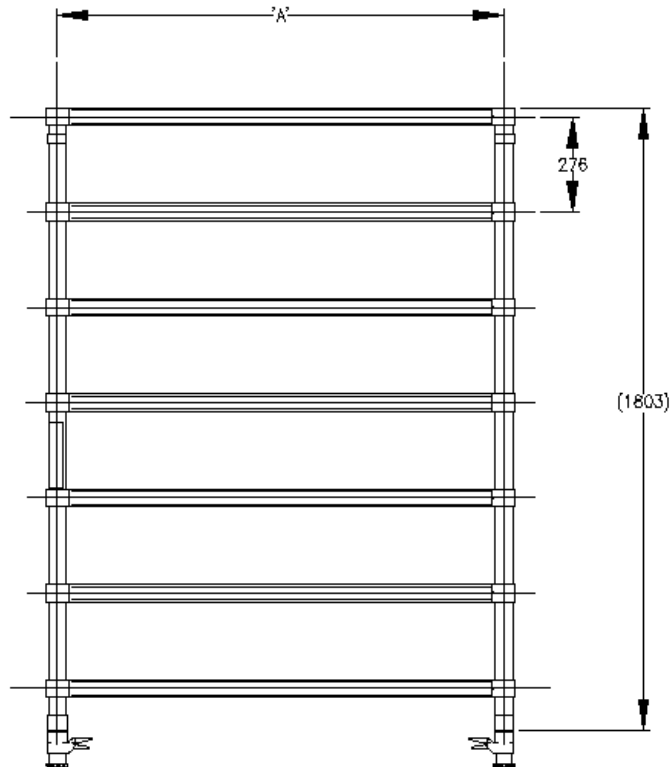
**TRAPDOOR PLATFORM**



**Platform Items Table**

Item	Description	Part N°		
		2.0m length	2.5m length	3.0m length
1	Hook Extrusion	40006-01		
2	Platform Rail	40051-06	40051-08	40051-10
3	Trapdoor	40054		
4	Plywood 9mm	9178-56	9178-58	9178-60
5 -a	Cross Extrusion	40002-01		
5 -b	Angle Extrusion	40005-01		
6	Cross Tie	N/A	40052	
7 -a	Windlock Extrusion	40007-01		
7 -b	Windlock Spring	40057		
8	End Cap Set	40055-02		
9	End Cap Set	40055-01		
10	End Cap Set	40055-03		
11-a	Latch	40056-01		
11-b	Latch Housing	40056-02		
11-c	Stainless Steel Spring	3466		
11-d	Hinge Spacer	40056-03		
12	14 x 55 self tap threads	40031		
13	14 x 25 self tap threads	40032-25		
14	12 x 25 self tap threads	40033-25		

**BASE FRAME (SPIGOTS DOWN)**



Part N°	Description	'A' (mm)	Weight (Kg)
<b>WITH LEGS*</b>			
9909-00	Base Frame (Narrow)	677	10.7
9919-00	Base Frame (Wide)	1290	13.4
<b>WITHOUT LEGS*</b>			
9909-01	Base Frame (Narrow)	677	8.5
9919-01	Base Frame (Wide)	1290	11.2

Notes

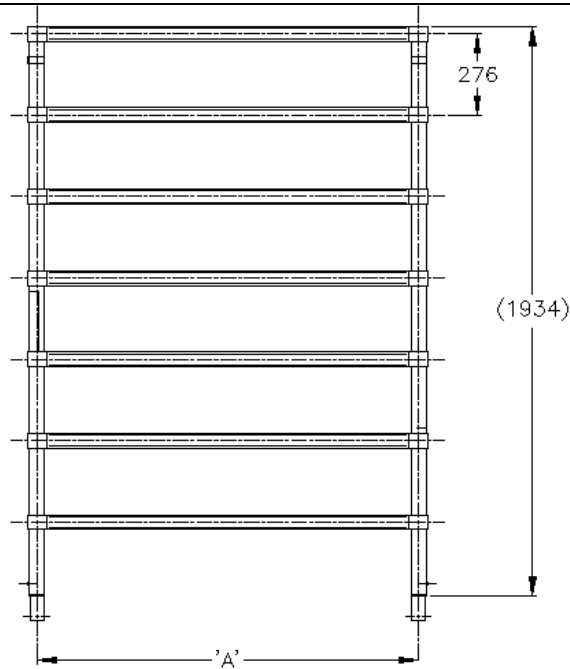
\* 0.4 m Adjustable Leg (Part N° 9517)

**STANDARD FRAME**

▪ **7 Rung Frame**

Notes

Can be used as Base frame (Spigots up) or as extension Frame (Spigots down)

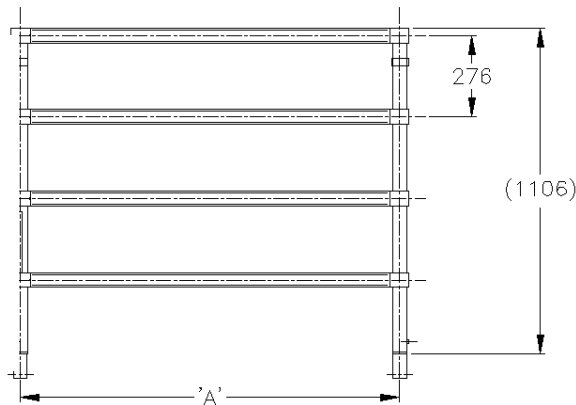


Part N°	Description	'A' (mm)	Weight (Kg)
9827-00	7 Rung Frame (Narrow)	677	8.5
9847	7 Rung Frame (Wide)	1290	11.2

▪ **4 Rung Frame**

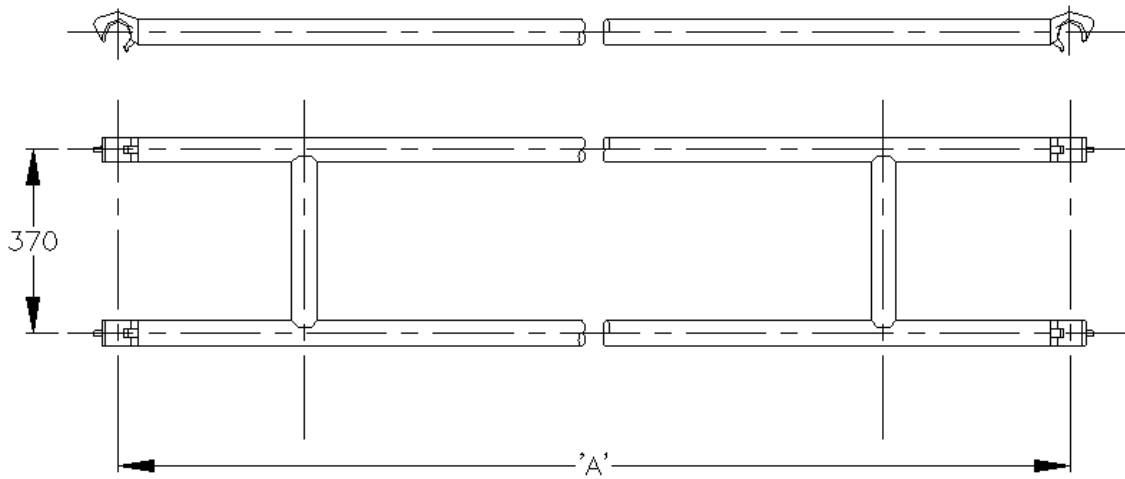
Notes

Can be used as Base frame (Spigots up) or as extension Frame (Spigots down)



Part N°	Description	'A' (mm)	Weight (Kg)
9824	4 Rung Frame (Narrow)	677	5.7
9844	4 Rung Frame (Wide)	1290	8.5

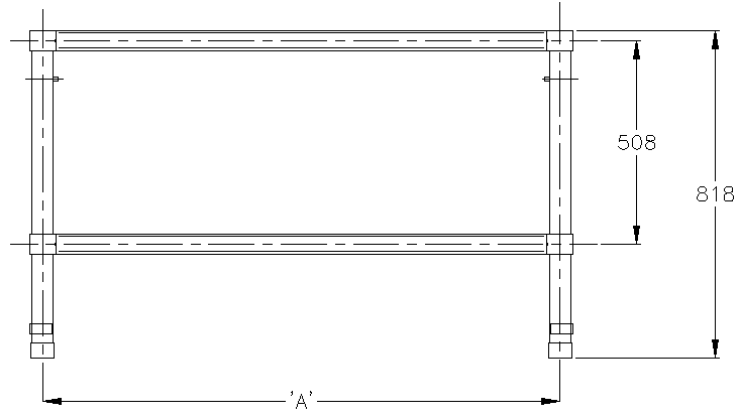
**GUARDRAIL BRACING FRAME**



Part N°	Description	'A' (mm)	Weight (Kg)
9603-01	2.0m Guardrail Bracing Frame	1912	3.8
9603-02	2.5m Guardrail Bracing Frame	2496	4.4
9603-03	3.0m Guardrail Bracing Frame	3048	5.2

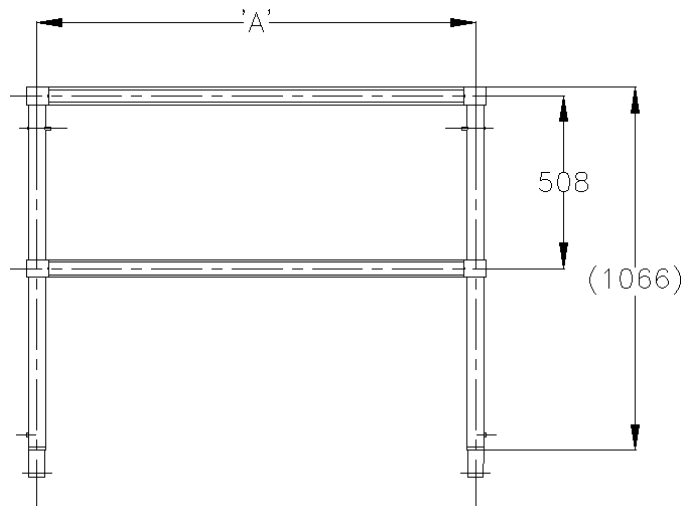
**GUARDRAIL FRAME**

▪ **Spigots Up System**



Part N°	Description	'A' (mm)	Weight (Kg)
9823-00	Guardrail Frame (Narrow)	677	2.7
9843	Guardrail Frame (Wide)	1290	4.0

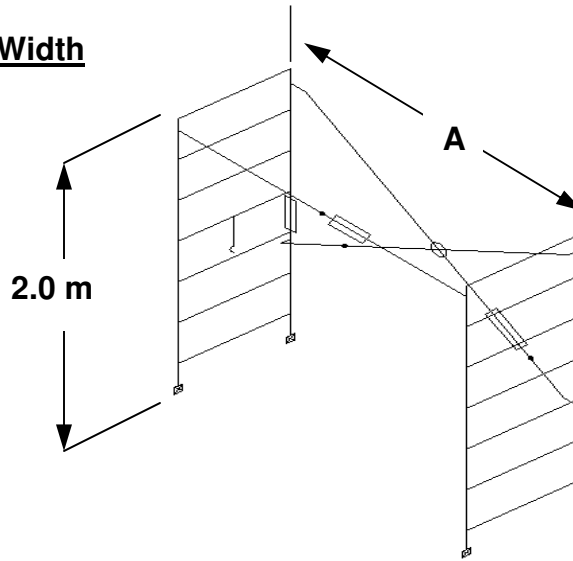
▪ **Spigots Down System**



Part N°	Description	'A' (mm)	Weight (Kg)
9673	2 Rung Guardrail Frame (Narrow)	677	2.8
9677	2 Rung Guardrail Frame (Wide)	1290	4.1

**VX BASE**

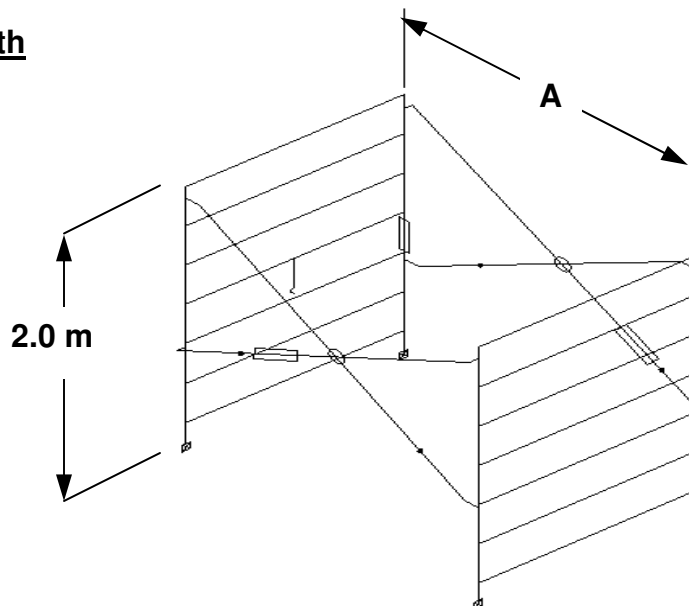
▪ **Single Width**



Part N°	Description	'A' (mm)	Weight (Kg)
9906-00	2.0m Long VX Base (Narrow)	1912	25.2
9916-00	2.0m Long VX Base (Wide)		33.4
9908-00	2.5m Long VX Base (Narrow)	2496	26.2
9918-00	2.5m Long VX Base (Wide)		34.6
9910-00	3.0m Long VX Base (Narrow)	3048	27.2
9920-00	3.0m Long VX Base (Wide)		35.8

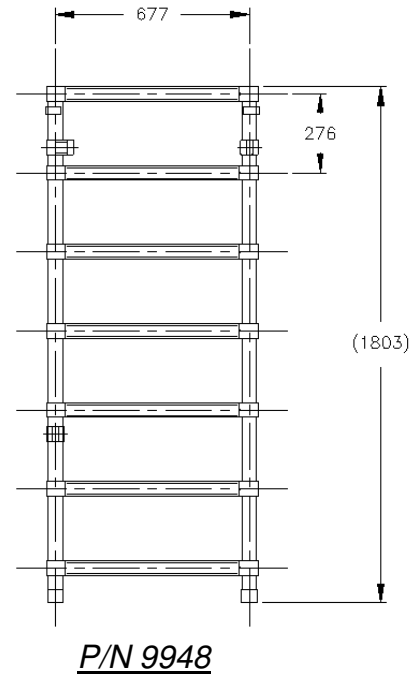
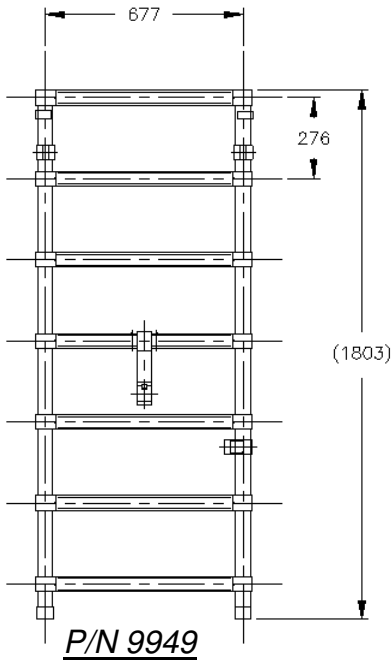
**VX Assemblies include four legs (0.4m P/N 9517). If legs are not required, VX part number becomes - 01 (Example: 9906-00 becomes 9906-01)**

▪ **Double Width**



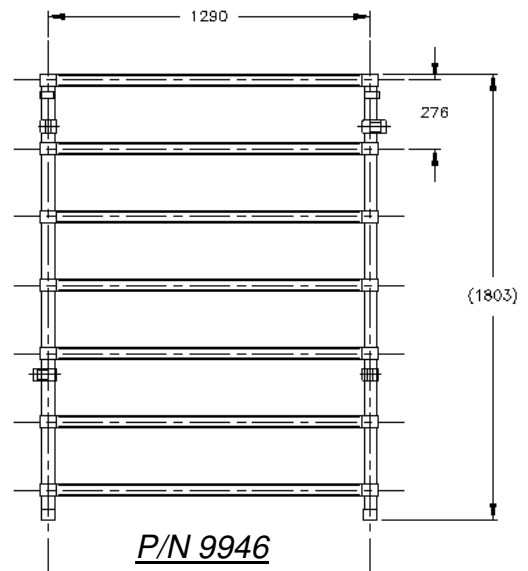
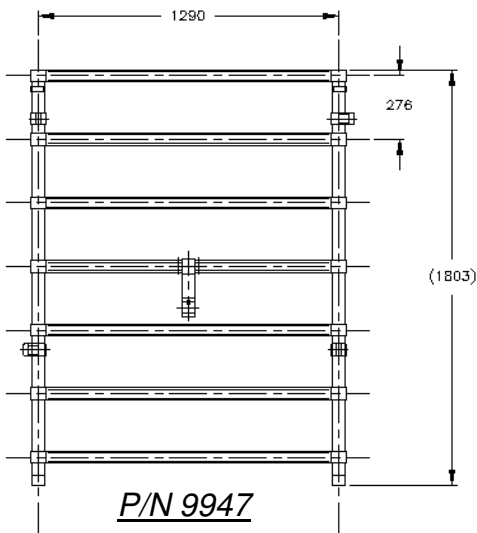
**VX FRAME**

▪ **Single Width**



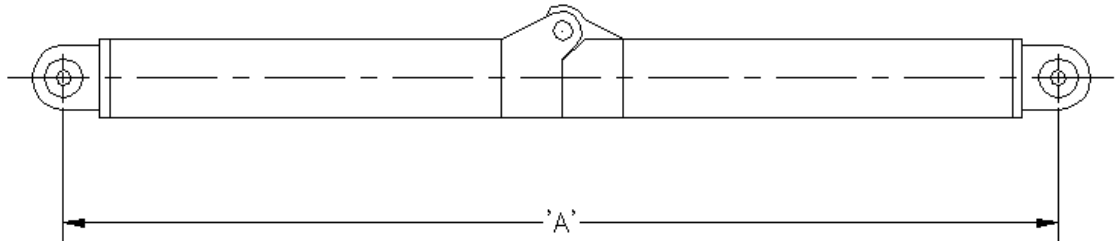
Part N°	Description	Weight (Kg)
9948	Single Width VX Frame	9.3
9949	Single Width VX Frame (with hook)	9.8
9946	Double Width VX Frame	12.2
9947	Double Width VX Frame (with hook)	12.8

▪ **Double Width**



**VX FOLDING BRACE**

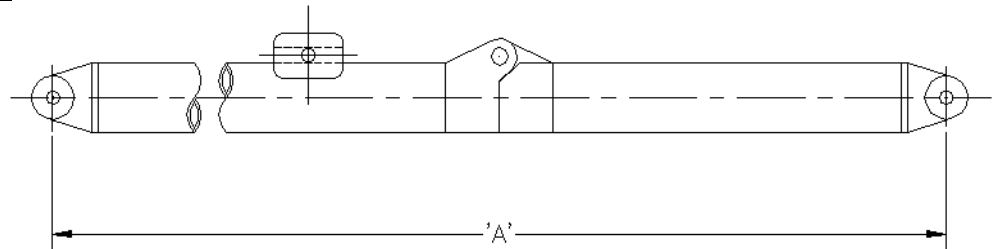
▪ **Horizontal Brace**



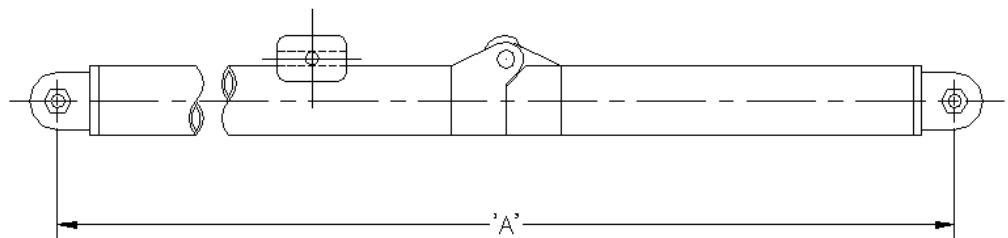
Part N°	Description	'A' (mm)	Weight (Kg)
1088	1.9m Horizontal Brace	1798	1.9
1089	2.5m Horizontal Brace	2382	2.3
1090	3.0 m Horizontal Brace	2934	2.7

▪ **Diagonal Brace**

- Type A (Single Width)



- Type B (Double Width)

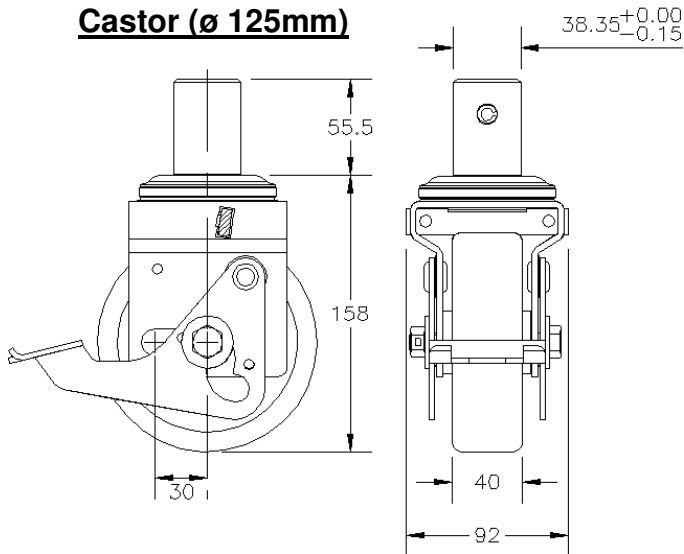


Part N°	Description	'A' (mm)	Weight (Kg)
<b>TYPE A</b>			
9985	1.9m Diagonal Brace	2059	2.1
9986	2.5m Diagonal Brace	2585	2.4
9987	3.0 m Diagonal Brace	3100	2.7
<b>TYPE B</b>			
1085	1.9m Diagonal Brace	2059	2.1
1086	2.5m Diagonal Brace	2585	2.4
1087	3.0 m Diagonal Brace	3100	2.7

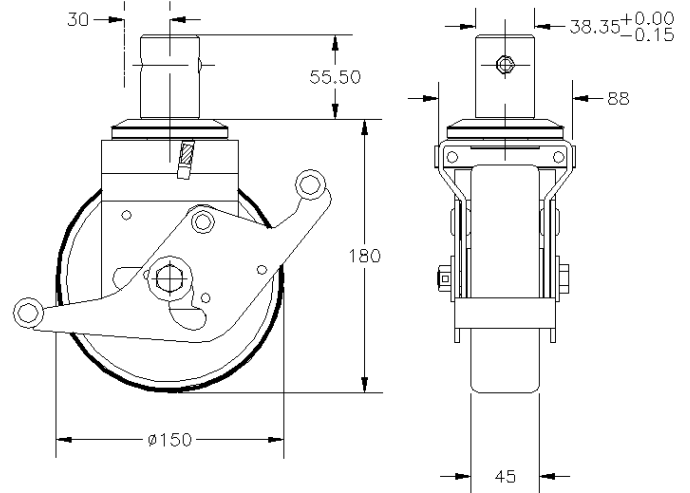


**CASTOR (WHEEL)**

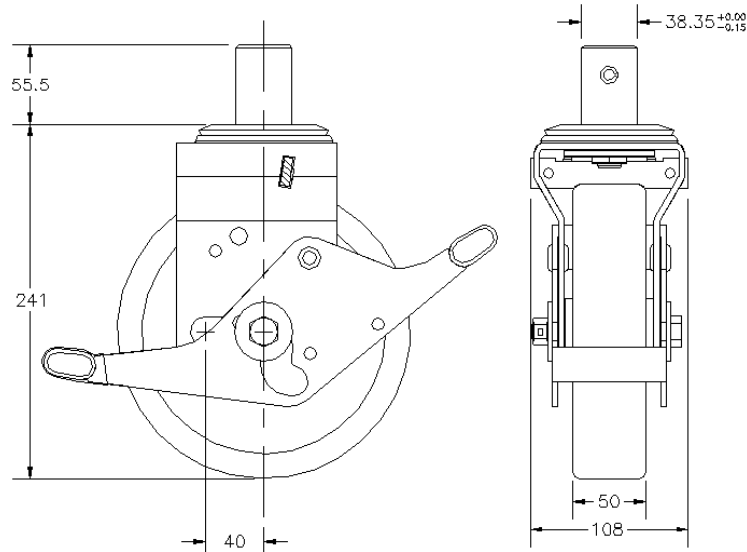
**Castor (ø 125mm)**



**Castor (ø 150mm)**



**Castor (ø 200mm)**



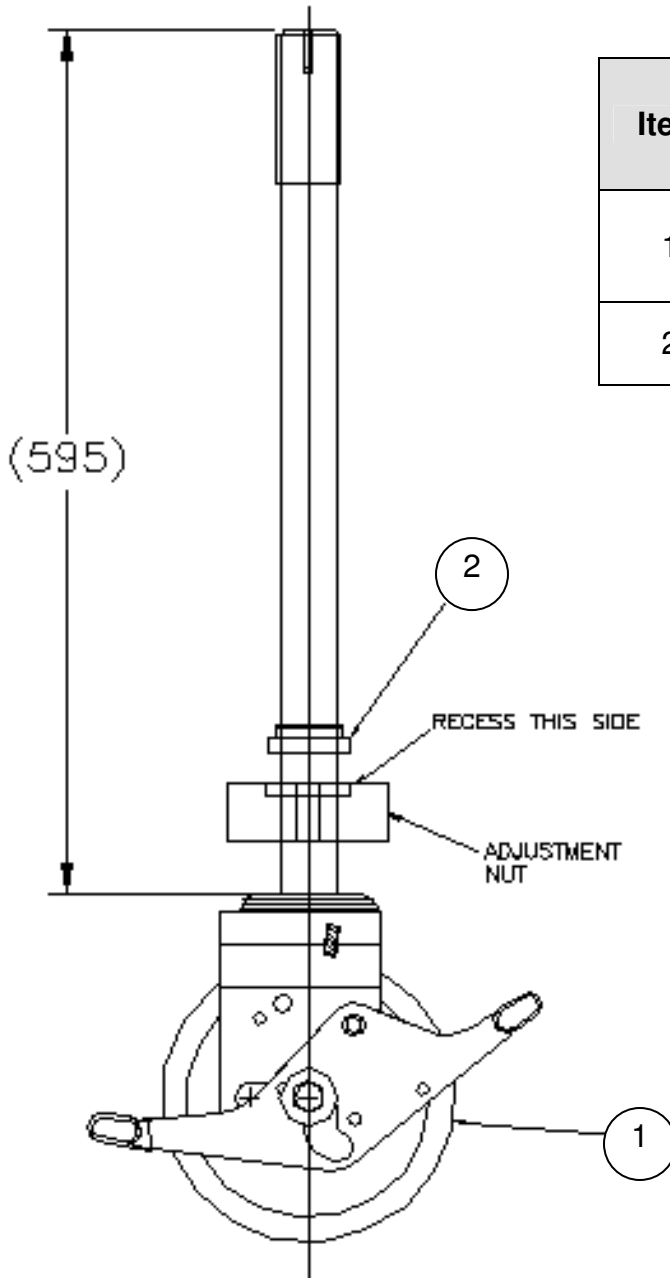
Part N°	Description	Weight (kg)	Load Capacity* (Kg)
5061	125mm Polyurethane tyre (castor 5")	2.26	600
5098	150mm Polyurethane tyre (castor 6")	2.76	700
9600	200mm Polyurethane tyre (castor 8")	4.384	700

Notes

- Wheel Material: Soft blue (Polyurethane tyre), yellow (nylon)

\* Safety Weight Load

**INTEGRAL STEEL LEG + CASTOR (Part N° 40617- 02)**



Item	Description	Part N°
1	Adjustable Leg + ø 200mm Castor Assembly	40617
2	Castor Bushing	40663

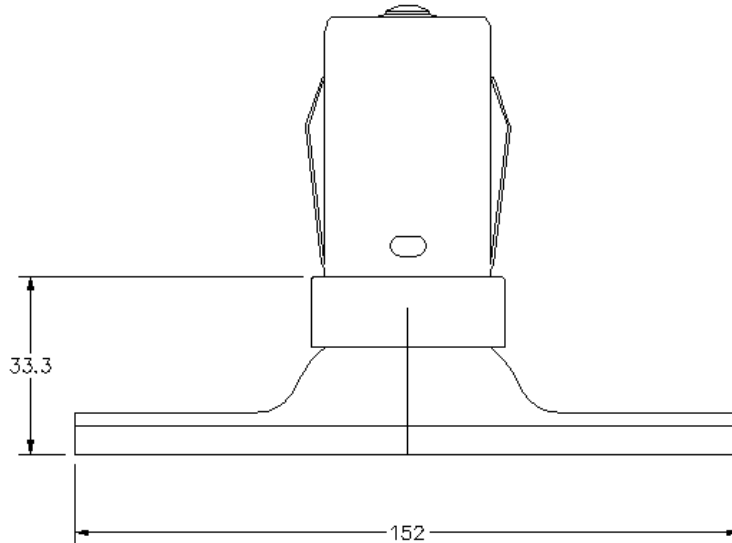
Weight (Kg)	Load Capacity* (Kg)
5.5	700

Notes

- Wheel Material: Polyurethane tyre

\* Safety Weight Load

**BASE PLATE**

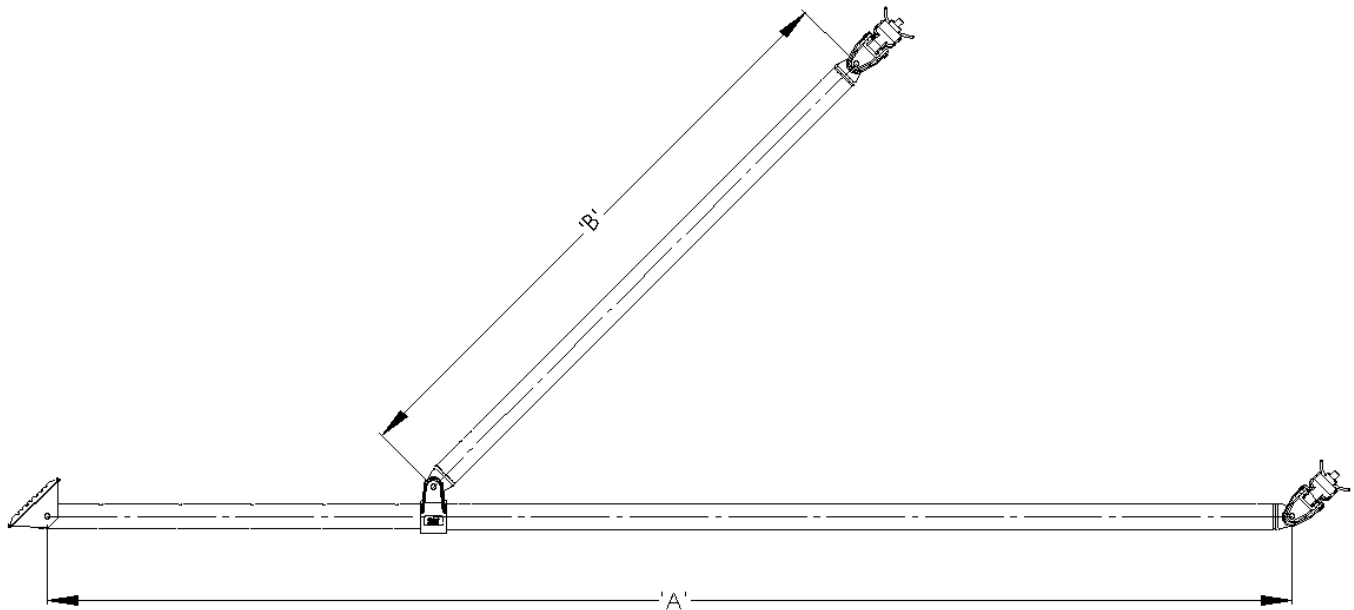


Part N°	Description	Weight (Kg)
50325	Swivel Base Plate	0.6

Notes

Material: Aluminium

**STABILIZER**

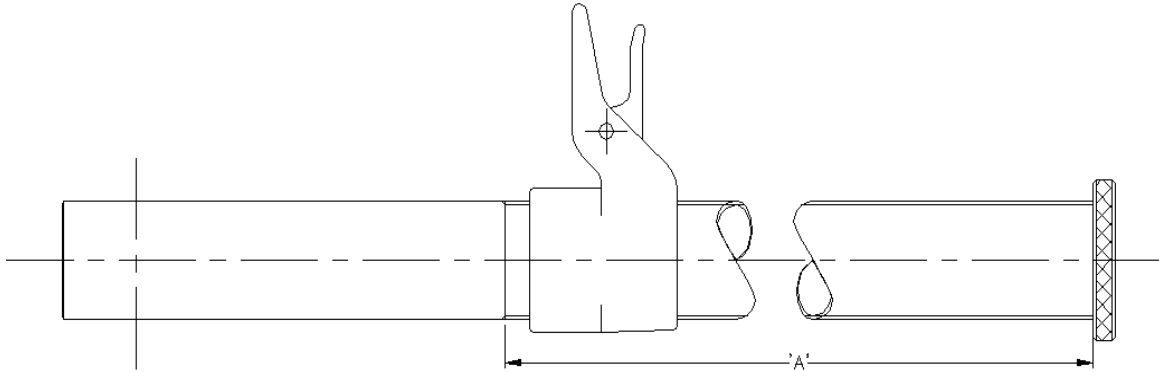


Part N°	Description	'A' (mm)	'B' (mm)	Weight (Kg)
9030	Fixed Outrigger	1849	1157	4
50430	Telescopic Outrigger	1730 (Min)	1157	5.2
		2440 (Max)		
9090	Extra Large Outrigger	3200	1900	6.8

Notes

- Tube material : Alloy 6082

**ADJUSTABLE LEG**



Part N°	Description	'A' (mm)	Weight (Kg)
9517	0.4m Adjustable Leg	406	1.1
9204	0.6m Adjustable Leg	615	1.4
9121	0.8m Adjustable Leg	812	1.7

Notes

- Leg Material: Alloy 6063 or 6082

**SPAN 300 TOWER WEIGHTS**

▪ **Single Width**

Platform Height (meters)	Tower Weight (Kg)		
	2.0m length	2.5m length	3.0m length
2.1	69	77	83
3.2	123	135	145
4.1	122	144	155
5.2	162	182	197
6.0	156	193	210
7.1	201	235	255
7.9	195	247	268

▪ **Double Width**

Platform Height (meters)	Tower Weight (Kg)		
	2.0m length	2.5m length	3.0m length
2.1	91	106	117
3.2	149	170	185
4.1	156	182	198
5.2	195	227	247
6.0	205	238	260
7.1	241	281	306
7.9	260	302	328
9.0	296	344	375
9.8	305	256	387
10.9	350	397	432
11.8	359	411	447

**Notes**

- Built to EN1004 + W.A.H.R. Regulations
- Total loading on the tower: 720 Kg (Max)
- Span 300 Tower class 3
- Maximum platform height Indoor Use : 12m (DW) and 8.0m (SW)
- Maximum platform height Outdoor Use : 8.0m (SW and DW)
- Max load on assembled tower: 360 Kg per working level